

**MOROOKA EUROPE**



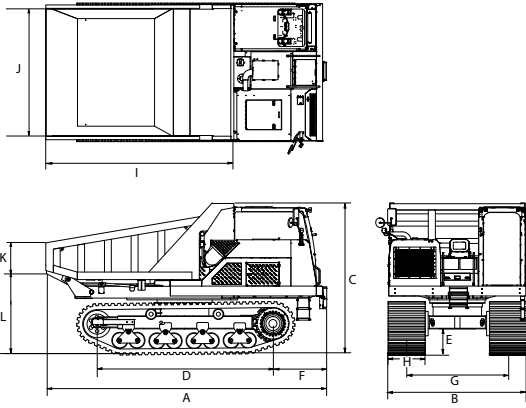
# **MST-3000VDR US MODEL**

**Full Rotating  
Rubber Crawler Carrier**

**Max Payload 15.5 T**

**CARRIER for SOFT, SANDY, and  
ROUGH TERRAIN**

**MST-3000VDR**



Joystick driving lever



Better Visibility on right side



Easy Control with HST drive system



360° rotation brings more security, less stress and fatigue to the driver

Model		MST-3000VDR		DUMP BODY			TANK CAPACITY			
<b>PERFORMANCE</b>				<b>Overall Length</b>	I	mm	4,057	<b>Fuel Tank</b>	ℓ	222
Maximum Payload	Kg	15,500		<b>Overall Width</b>	J	mm	2,730	<b>Hydraulic Tank</b>	ℓ	177
Loading Capacity	m <sup>3</sup>	9.30		<b>Overall Height</b>	K	mm	598	<b>Fuel Consumption (at rated Output)</b>	ℓ/h	64.9
Speed1 Low	Km/h	8		<b>Ground Clearance</b>	L	mm	1,807	<b>DRIVE SYSTEM</b>		
Speed2 High	Km/h	12		<b>ENGINE</b>				HST		
Ground Pressure(empty)	Kg/cm <sup>2</sup>	0,28		<b>Model</b>	CAT C7.1 Tier 4 final Stage 5			<b>GRADEABILITY</b>		
Ground Pressure(Loaded)	Kg/cm <sup>2</sup>	0,53		<b>Nominal Output/rpm</b>	HP(kw)/rpm	300(242)/2,200		Fully loaded: 27% (15 degree) Continuous		
<b>MACHINE DIMENSION</b>				<b>Torque</b>	N.m/min-1	1,480/1,400		<b>OTHER</b>		
Machine Weight	Kg	19,400		<b>HYDRAULIC PUMP</b>				Cabin (ROPS) Air conditioner Radio 360° rotation Rear Camera		
Overall Length	A	mm	6,048	<b>Main Pump</b>	2x variable displacement axial piston pump					
Overall Width	B	mm	2,991	<b>Range</b>	cc/REV	165				
Overall Height	C	mm	3,260	<b>Pilot pump</b>	1x gear pump					
Wheelbase	D	mm	3,790	<b>Range</b>	cc/REV	65				
Min. Ground Clearance	E	mm	565	<b>HYDRAULIC MOTOR</b>						
Front Overhang	F	mm	744	<b>Travel Motor</b>	2x variable displacement axial piston motors					
Crawler Distance	G	mm	2,185	<b>Swing Motor</b>	1x axial piston motor					
Crawler Width	H	mm	800							
Crawler Size		mm	800 x 150 x 66							

Remarks: Specification may be changed without any notice.

# MOROOKA EUROPE

Im Neugrund 14  
64521 Gross-Gerau  
Germany

Web: [www.morookaeurope.com](http://www.morookaeurope.com)



**Contact**

## PrimBTP

importateur
exclusif

[www.primbtp.com](http://www.primbtp.com)

